

Straight Fittings

- For use with Carflex® conduit and Carflex® X-Flex™ conduit

Image 1



Assembly

Image 2



Compression Nut

Fitting Body

Extended Threads

Nitrile Rubber O-Ring

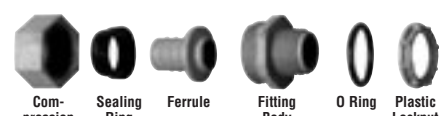
Metal Locknut

Image 3



Assembly

Image 4



Compression Nut

Sealing Ring

Ferrule

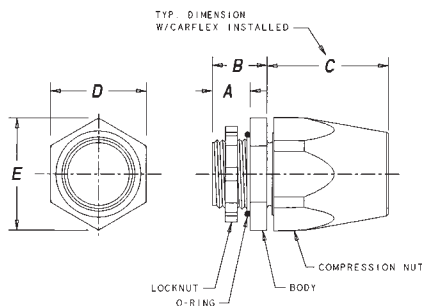
Fitting Body

O Ring

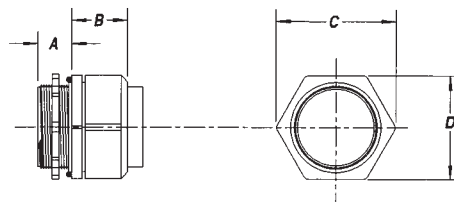
Plastic Locknut

Features

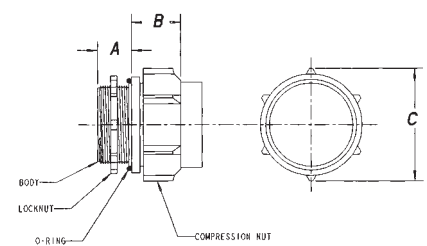
- Nonconductive and Noncorrosive
- Resistant to oil, acid, ozone, and alkaline
- Easy to install
- Nitrile rubber "O" ring for a liquidtight termination
- Temperatures up to 225°F (107°C)
- Meets UL Standard 514B



LT43C-CAR, LT43D-NEW, LT43E-NEW, LT43F



LT43G, LT43H



LT43J

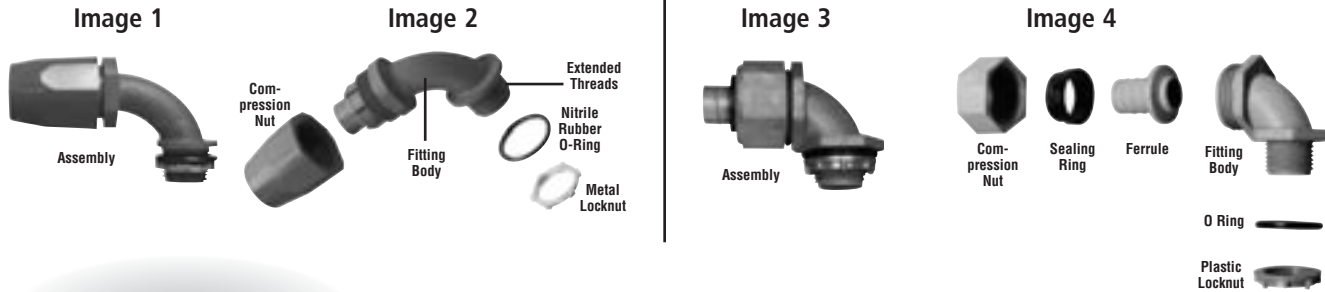
Specifications



Part No.	Size (in.)	Std. Ctn. Qty.	Std. Ctn. Wt. (lbs.)	A (inches)	B (inches)	C (inches)	D (inches)	E (inches)	Refer to Image
LT43C-CAR	3/8	15	1.2	.55	.75	1.60	1.30	1.40	1, 2
LT43D-NEW	1/2	50	4.2	.56	.91	1.62	1.30	1.40	1, 2
LT43E-NEW	3/4	50	6.6	.56	.91	1.88	1.61	1.71	1, 2
LT43F	1	25	3.8	.70	1.00	2.20	1.90	2.04	1, 2
LT43G	1-1/4	5	1.5	.71	1.16	2.50	2.17		3, 4
LT43H	1-1/2	5	1.8	.75	1.36	2.78	2.43		3, 4
LT43J	2	5	2.5	1.00	1.45	3.33			3, 4

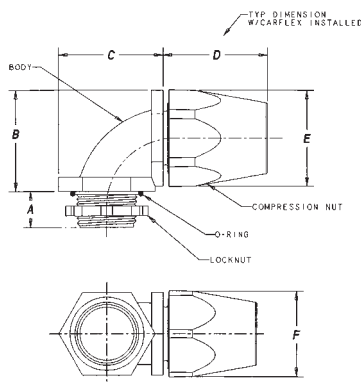
90° Fittings

- For use with Carflex® conduit and Carflex® X-Flex™ conduit

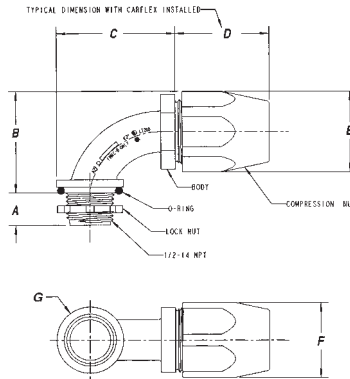


Features

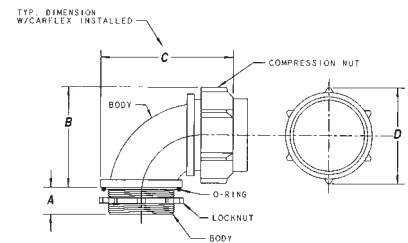
- Nonconductive and Noncorrosive
- Resistant to oil, acid, ozone, and alkaline
- Easy to install
- Nitrile rubber "O" ring for a liquidtight termination
- Temperatures up to 225°F (107°C)
- Meets UL Standard 514B



LT20C-CAR, LT20F-NEW



LT20D-NEW, LT20E-NEW



LT20G, LT20H, LT20J

Specifications



Part No.	Size (in.)	Std. Ctn. Qty.	Std. Ctn. Wt. (lbs.)	A (inches)	B (inches)	C (inches)	D (inches)	E (inches)	F (inches)	G (inches)	Refer to Image
LT20C-CAR	3/8	15	1.6	.56	1.44	1.44	1.56	1.39	1.26		3, 4
LT20D-NEW	1/2	50	4.9	.56	1.76	2.05	1.62	1.40	1.30	1.15	1, 2
LT20E-NEW	3/4	50	8.8	.56	2.04	2.35	1.88	1.71	1.61	1.50	1, 2
LT20F	1	25	6.0	.70	2.01	2.01	2.26	2.04	1.90		3, 4
LT20G	1-1/4	5	1.9	.75	2.50	3.55	2.48				3, 4
LT20H	1-1/2	5	2.2	.75	2.80	3.98	2.77				3, 4
LT20J	2	5	3.0	.94	3.48	4.56	3.33				3, 4

Carflex® One-Piece Liquidtight Nonmetallic Fittings



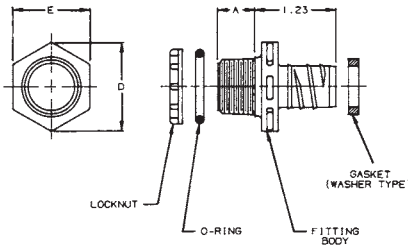
Unique Design

The simple, one piece body design of the Carflex One Piece Liquidtight Nonmetallic Fitting requires no disassembly of components for installation. The system is so strong that there is no need for a compression nut.

PVC Construction

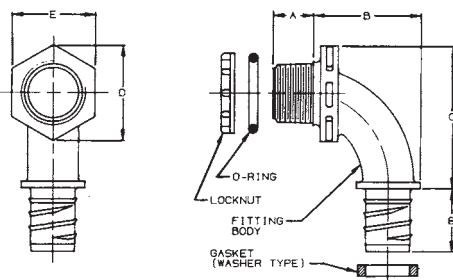
PVC construction of the fitting and locknut provides unparalleled protection from water, oil and dust. Totally nonmetallic, the system is nonconductive and will not corrode or rust. Temperatures up to 140°F (60°C)

Straight Fittings



Part No.	Trade Size (in.)	Std. Ctn. Qty.	Std. Ctn. Wt. (lbs.)	A (inches)	D (inches)	E (inches)
LN43DA	1/2 - 14 NPT	100	2.0	0.56	1.34	1.19
LN43EA	3/4 - 14 NPT	50	3.2	0.56	1.63	1.44
LN43FA	1 - 11 1/2 NPT	25	4.8	0.69	1.99	1.75

90° Fittings



Part No.	Trade Size (in.)	Std. Ctn. Qty.	Std. Ctn. Wt. (lbs.)	Thread Size	A (inches)	B (inches)	C (inches)	D (inches)	E (inches)
LN20DA	1/2 - 14 NPT	100	4.3	1/2-14 NPT	0.56	1.50	1.99	1.34	1.19
LN20EA	3/4 - 14 NPT	50	6.6	3/4-14 NPT	0.56	1.73	2.25	1.63	1.44
LN20FA	1 - 11 1/2 NPT	25	9.5	1-11 1/2 NPT	0.69	1.86	2.58	1.99	1.75

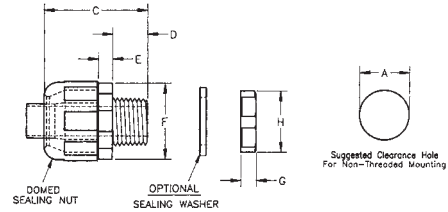


Straight



Features

- Available in sizes 3/8" through 1" conduit and tubing.
- All nylon construction resists salt water, weak acids, gasoline, alcohol, oil, grease and common solvents.
- No disassembly required.
- No threading of the conduit or tubing required to install.
- Complete Conduit/connector system is reusable.
- Suitable for indoor/outdoor use.
- Lower installed cost.
- Black connectors provided with nylon locknut.
- Gray connectors provided with assembled O-ring and metal locknuts.
- Protection class IP 68 per DIN 40050 up to 70 psi (5 bar) water pressure.
- Molded of type 6/6 nylon. ASTM D-4066-PA 111; flammability classification 94V-2.



Specifications

Size	Part No. Black	Part No. Gray*	Description	Body & Sealing Unit					Locking Nut		Std. Ctn. Qty.
				A	C	D	E	F	G	H	
				Clearance Hole in. (mm)	Max O.A. Length in. (mm)	Thread Length in. (mm)	Wrenching Nut Thickness in. (mm)	Wrenching Flats in. (mm)	Thickness in. (mm)	Wrenching Flats in. (mm)	
3/8"	LT38	LT38G	Straight L/T Fitting	.875 (22,2)	2.000 (50,8)	.625 (15,9)	.250 (6,3)	1.328 (33,7)	.266 (6,7)	1.062 (26,9)	50
1/2"	LT50	LT50G	Straight L/T Fitting	.875 (22,2)	2.000 (50,8)	.625 (15,9)	.250 (6,3)	1.328 (33,7)	.266 (6,7)	1.062 (26,9)	50
3/4"	LT75	LT75G	Straight L/T Fitting	1.109 (28,2)	2.031 (51,6)	.625 (15,9)	.250 (6,3)	1.562 (39,7)	.266 (6,7)	1.312 (33,3)	25
1"	LT100	LT100G	Straight L/T Fitting	1.375 (34,9)	2.250 (57,1)	.781 (19,8)	.250 (6,3)	1.875 (47,6)	.266 (6,7)	1.625 (41,3)	20

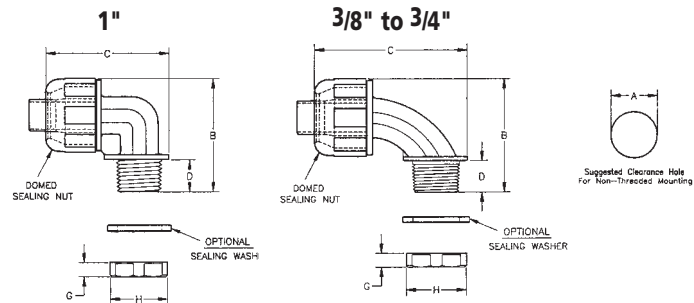
*Gray connectors provided with assembled o-ring and metal locknuts. Black connectors provided with nylon locknuts only.

90°



Features

- Available in sizes 3/8" through 1" conduit and tubing.
- Smooth internal surfaces for easier wire installation around corner angles.
- All nylon construction resists salt water, weak acids, gasoline, alcohol, oil, grease and common solvents.
- No disassembly required.
- No threading of the conduit or tubing required to install.
- Complete conduit/connector system is reusable.
- Use of a sealing washer may be required for wet locations.
- Suitable for indoor/outdoor use.
- Lower installed cost.
- Black connectors provided with nylon locknut, packed separately.
- Gray connectors provided with assembled O-ring and metal locknuts.
- Protection class IP 68 per DIN 40050 up to 70 psi (5 bar) water pressure.
- Molded of type 6/6 nylon. ASTM D-4066-PA 111; flammability classification 94V-2.



Specifications

Size	Part No. Black	Part No. Gray	Description	Body & Sealing Unit				Locking Nut		Std. Carton Qty.
				A	B	C	D	G	H	
				Clearance Hole in. (mm)	Max O.A. Height in. (mm)	Max O.A. Length in. (mm)	Thread Length in. (mm)	Thickness in. (mm)	Wrenching Flats in. (mm)	
3/8"	LT938	LT938G	90 degree L/T Fitting	.875 (22,2)	1.98 (50,3)	2.91 (73,9)	.52 (13,2)	.27 (6,8)	1.06 (26,9)	25
1/2"	LT950	LT950G	90 degree L/T Fitting	.875 (22,2)	1.98 (50,3)	2.91 (73,9)	.52 (13,2)	.27 (6,8)	1.06 (26,9)	25
3/4"	LT975	LT975G	90 degree L/T Fitting	1.109 (28,2)	2.29 (58,2)	3.17 (80,5)	.52 (13,2)	.27 (6,8)	1.31 (33,3)	20
1"	LT9100	LT9100G	90 degree L/T Fitting	1.375 (34,9)	2.84 (72,1)	3.18 (80,8)	.78 (19,8)	.27 (6,8)	1.61 (40,9)	10