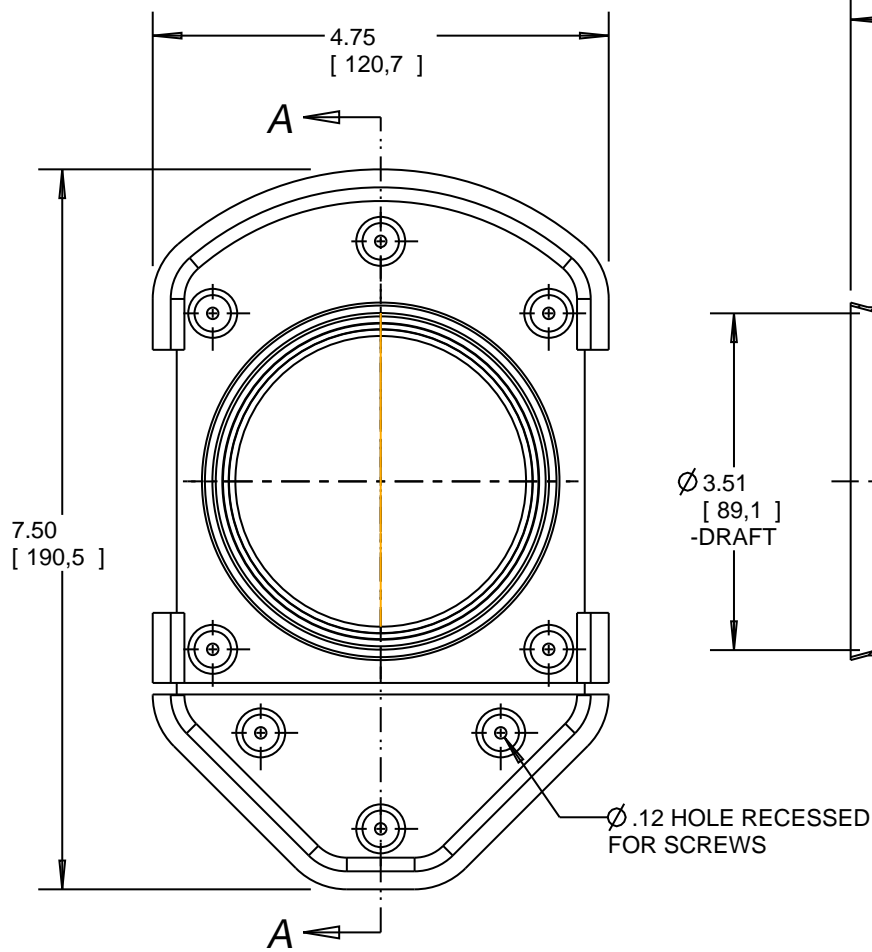
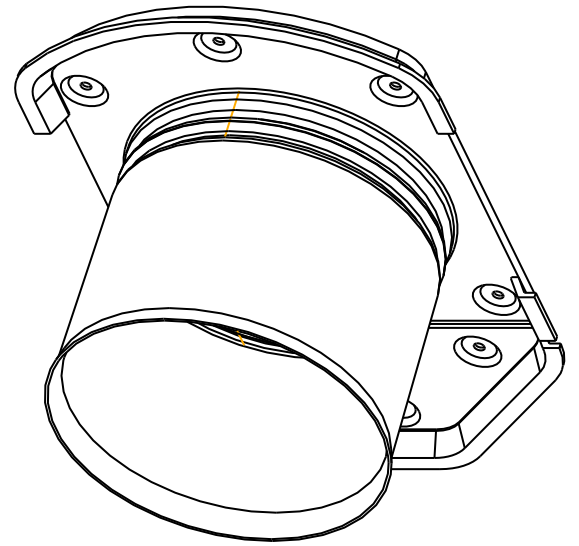


SECTION A-A

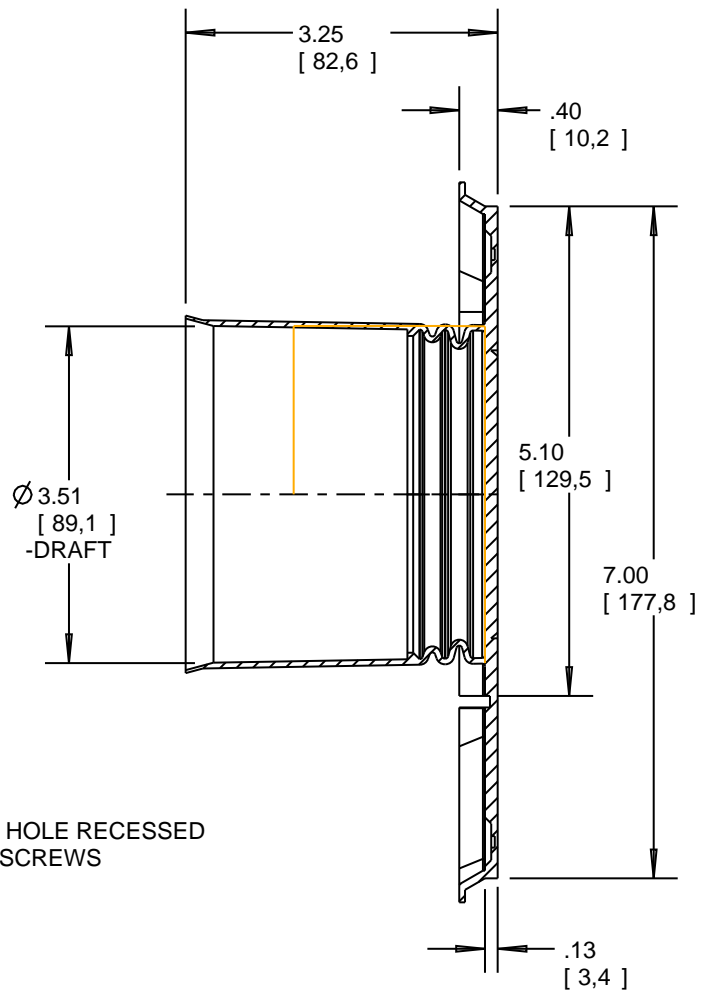
FOR USE WITH STANDARD  
2" IPS DIMENSIONAL CONDUIT

NOTE: ALL DIMENSIONS ARE IN INCH/MILLIMETERS.

TITLE: 2" CONDUIT SLEEVE		DRN. DATE DPR 9-27-07	PART NO.: E992J
LAMSON & SESSIONS	ALL DRAWINGS ARE THE PROPERTY OF LAMSON & SESSIONS AND SHALL NOT BE REPRODUCED IN ANY FORM WITHOUT LAMSON & SESSIONS' APPROVAL AND ARE TO BE PROMPTLY RETURNED UPON REQUEST	APP. DATE GDT 11-30-07	DRAWING NO.: AC05119 SHT.1 OF 4
			REV. A



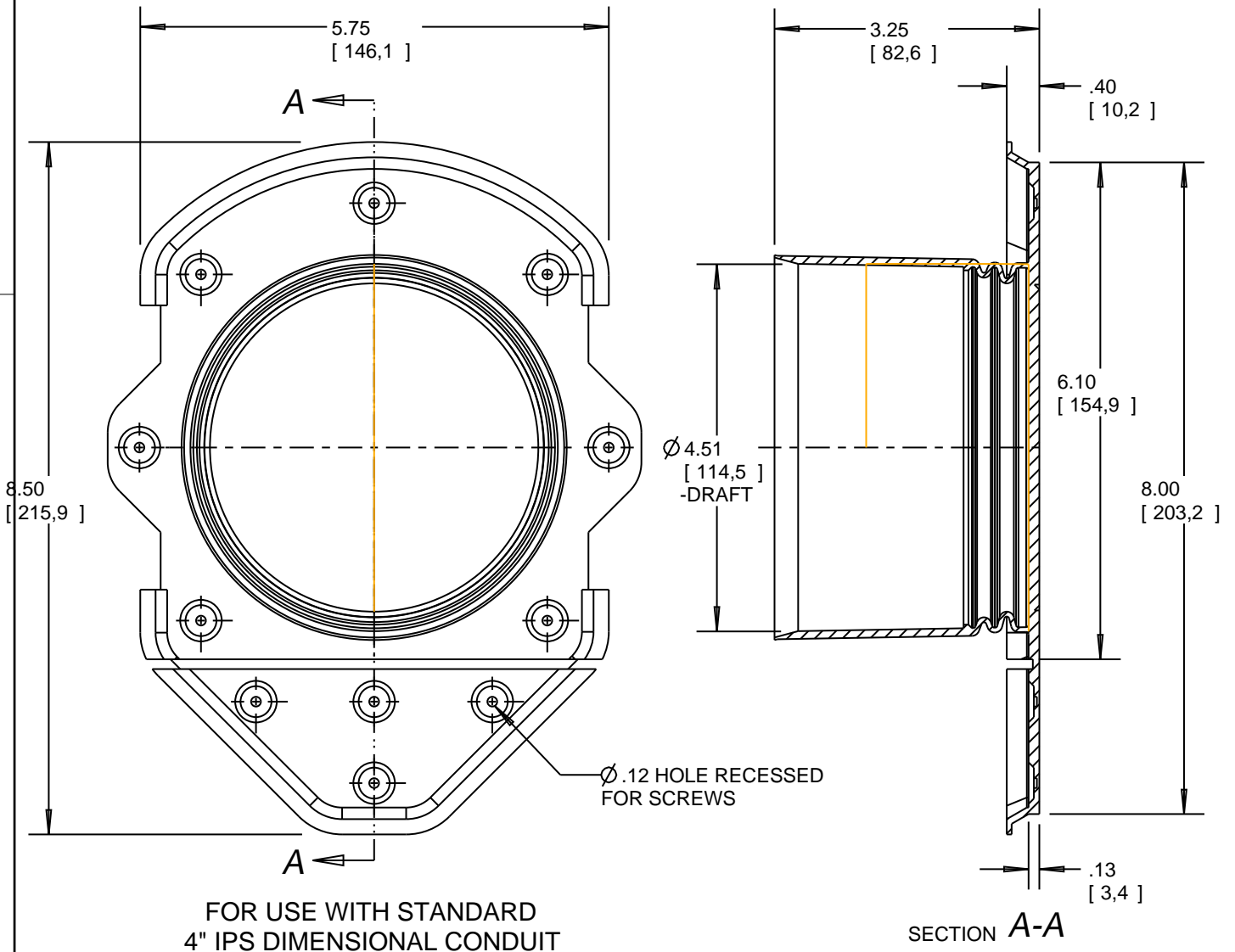
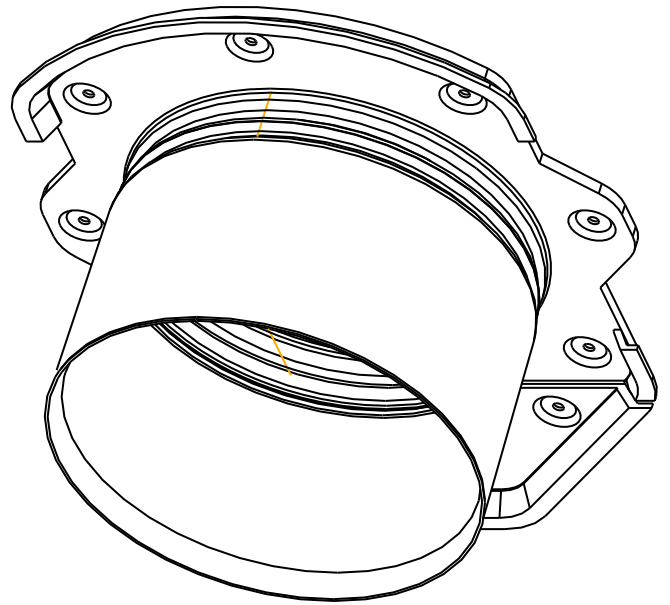
FOR USE WITH STANDARD  
3" IPS DIMENSIONAL CONDUIT



SECTION A-A

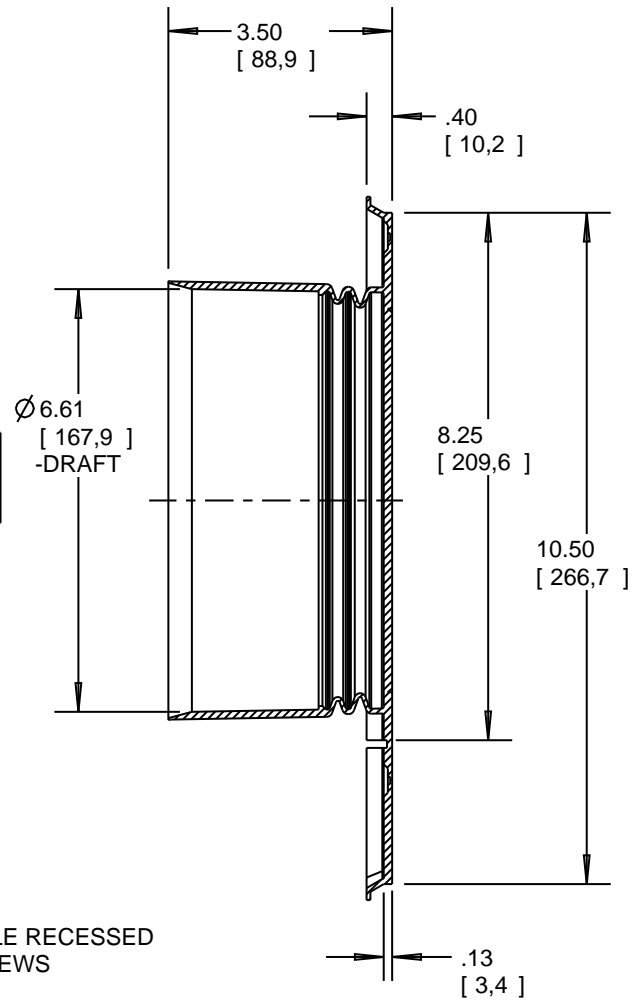
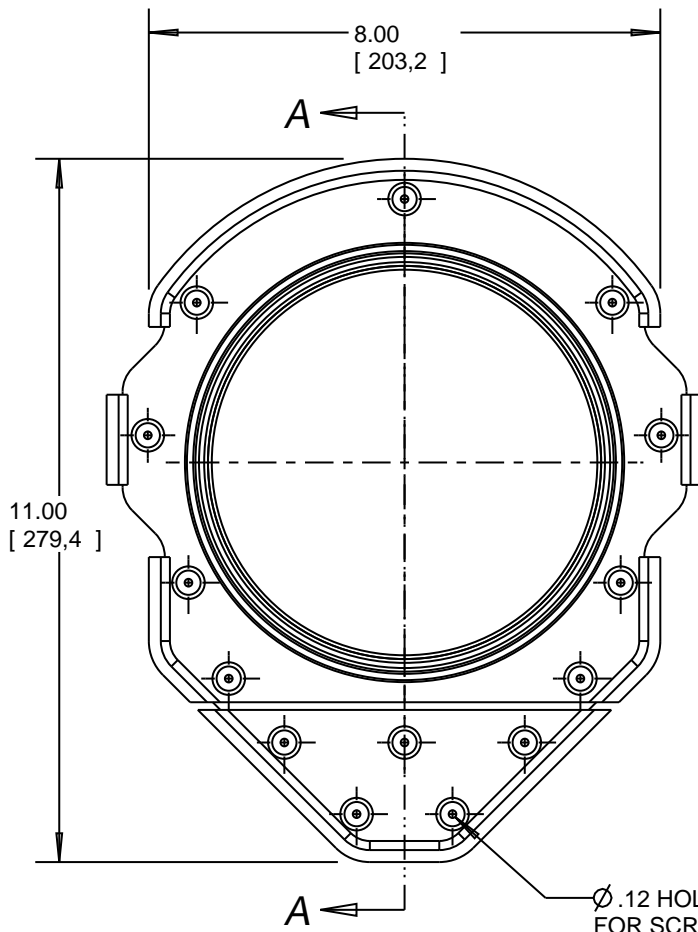
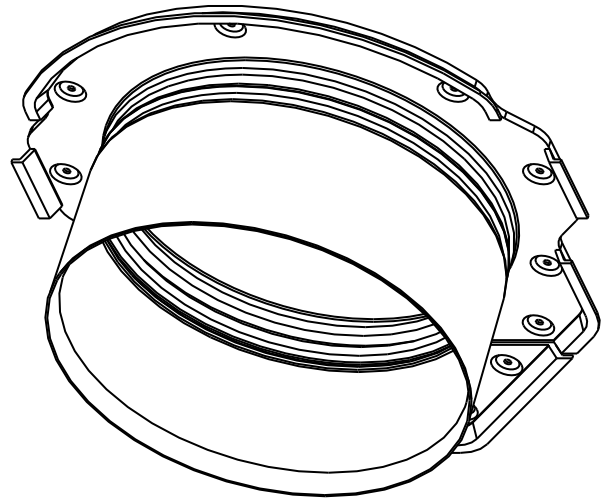
NOTE: ALL DIMENSIONS ARE IN INCH/MILLIMETERS.

TITLE: 3" CONDUIT SLEEVE		DRN. DATE DPR 9-27-07	PART NO.: <b>E992L</b>
LAMSON & SESSIONS	ALL DRAWINGS ARE THE PROPERTY OF LAMSON & SESSIONS AND SHALL NOT BE REPRODUCED IN ANY FORM WITHOUT LAMSON & SESSIONS' APPROVAL AND ARE TO BE PROMPTLY RETURNED UPON REQUEST	APP. DATE GDT 11-30-07	DRAWING NO.: <b>AC05119</b> SHT.2 OF 4
			REV. <b>A</b>



NOTE: ALL DIMENSIONS ARE IN INCH/MILLIMETERS.

TITLE: 4" CONDUIT SLEEVE		DRN. DATE DPR 9-27-07	PART NO.: <b>E992N</b>
	ALL DRAWINGS ARE THE PROPERTY OF LAMSON & SESSIONS AND SHALL NOT BE REPRODUCED IN ANY FORM WITHOUT LAMSON & SESSIONS' APPROVAL AND ARE TO BE PROMPTLY RETURNED UPON REQUEST	APP. DATE GDT 11-30-07	DRAWING NO.: <b>AC05119</b> SHT.3 OF 4
			REV. <b>A</b>



Ø .12 HOLE RECESSED FOR SCREWS

SECTION A-A

FOR USE WITH STANDARD  
6" IPS DIMENSIONAL CONDUIT

NOTE: ALL DIMENSIONS ARE IN INCH/MILLIMETERS.

TITLE: 6" CONDUIT SLEEVE		DRN. DATE DPR 9-27-07	PART NO.: E992R
LAMSON & SESSIONS	ALL DRAWINGS ARE THE PROPERTY OF LAMSON & SESSIONS AND SHALL NOT BE REPRODUCED IN ANY FORM WITHOUT LAMSON & SESSIONS' APPROVAL AND ARE TO BE PROMPTLY RETURNED UPON REQUEST	APP. DATE GDT 11-30-07	DRAWING NO.: AC05119 SHT.4 OF 4
			REV. A