

25701 Science Park Drive,
Cleveland, Ohio 44122 USA
CALL TOLL-FREE OR FAX
Tel: (800) 3-CARLON (1-800-322-7566)
In Ohio: (216) 464-3400
FAX: (216) 766-6444
TDD/Hearing Impaired Access:
(216) 831-5918
www.carlon.com

In Canada, contact:
P.O. Box 60
35 Killaloe Road
Unit 4 Concord, Ontario
Canada L4K 1A0
(905) 660-7993
(888) 269-9902
Fax: (905) 660-9663
(888) 229-8622

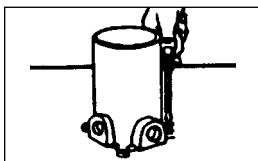
Carlon® Round Non-Metallic Floor Box

Installation Instructions

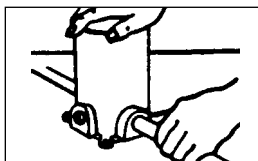
IS6

3 Simple Steps to Install Non-Metallic Floor Box in Cement

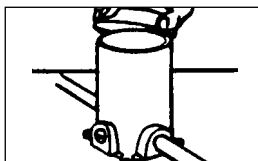
1. INSTALLATION IS EASY



1. Set floor box on level surface.

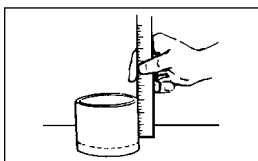


2. Make connections into outlets by solvent cementing conduit into proper outlet in box.

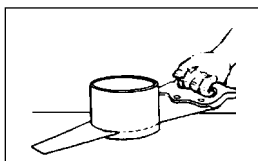


3. Slip on throwaway plastic cap and seal unused outlets with solvent cemented plugs.

2. TRIM OUT IS A SNAP

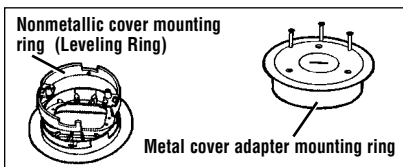


1. Remove plastic cap and determine thickness of flooring to be used. Scribe a line around floor box at this distance from floor.

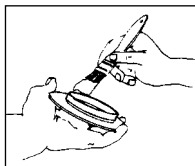


2. Using handsaw, cut off floor box at scribed line.

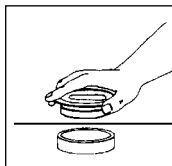
3. INSTALL COVER Refer to installation instructions provided with cover.



1. Install mounting ring to underside of cover.



2. Carefully apply Carlon PVC Cement to mounting ring only.



3. Press mounting ring cover assembly into floor box.

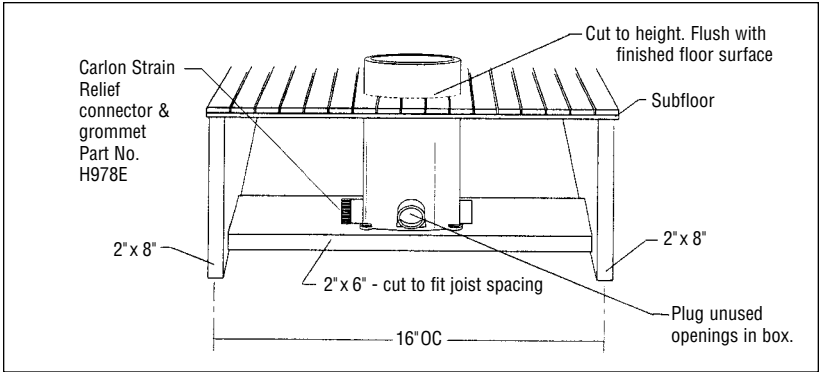
NOTE: Box may extend any distance above flooring. Box is cut off to exact height with a handsaw. Mounting ring assures a LEVEL top, every time.

3 Simple Steps to Install Non-Metallic Floor Box in Wood & Metal Joist Construction



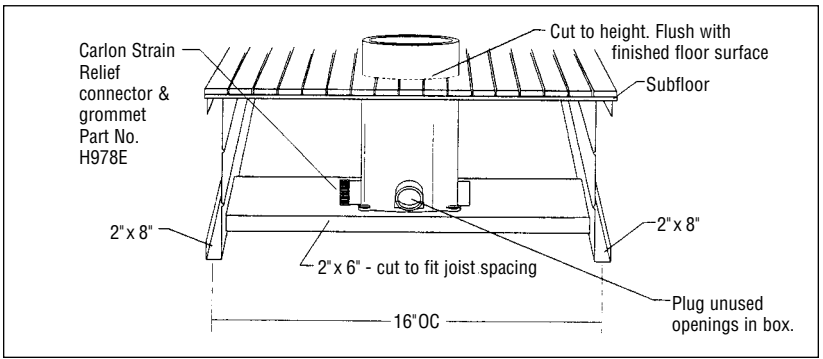
ROUND FLOOR BOX PART NO. E971FB

1. Establish location of floor box on sub floor.
2. Cut a 5" round hole in sub floor.
3.
 - a. If nonmetallic Sheathed Cable is used for wiring, cement Carlon Strain Relief Connector with Grommet, Part No. H978E in 3/4" box opening.
 - b. If Electrical Nonmetallic Tubing (ENT) is used for wiring, solvent weld ENT in hub using Carlon ENT Cement.
 - c. Cement the plugs provided in unused openings. Refer to Figures No. 1, No. 2, and No. 3.
4. Cut wooden 2" x 6" support to fit between joist spacing. Refer to Figure No. 1 or Figure No. 2.
5. Secure floor box to the 2" x 6" with four (4) #10 x 1" screws. Refer to Figure No. 3 (NOTE: SCREWS ARE NOT PROVIDED).
6. From floor below, insert the floor box through the hole in sub floor to desired height. Secure support by using one of the following methods listed below.
 - a. **WOODEN JOIST CONSTRUCTION:**
Use three (3) 16d nails on each side of floor joist to secure box support between WOODEN FLOOR JOISTS. Refer to Figure No. 1.
 - b. **METAL JOIST CONSTRUCTION:**
Use three (3) 3" self-drilling screws on each side of metal floor joist, to secure wooden box support between METAL FLOOR JOISTS. Refer to Figure No. 2.
7. Follow floor box cover installation instructions provided with cover.



WOOD JOIST CONSTRUCTION

Figure 1



METAL JOIST CONSTRUCTION

Figure 2

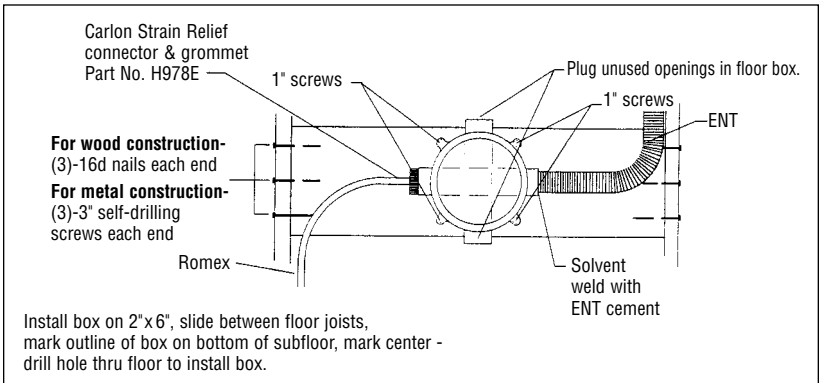


Figure 3

Carlton[®]
LAMSON & SESSIONS

25701 Science Park Drive,
Cleveland, Ohio 44122 USA

Call toll-free or fax
Tel: (800) 3-CARLON (1-800-322-7566)
In Ohio, (216) 464-3400
FAX: (216) 766-6444
TDD/Hearing Impaired Access:
(216) 831-5918
www.carlon.com

In Canada, contact:
P.O. Box 60
35 Killaloe Road, Unit 4
Concord, Ontario
Canada L4K 1A0
(905) 660-7993 • (888) 269-9902
Fax: (905) 660-9663 • (888) 229-8622

