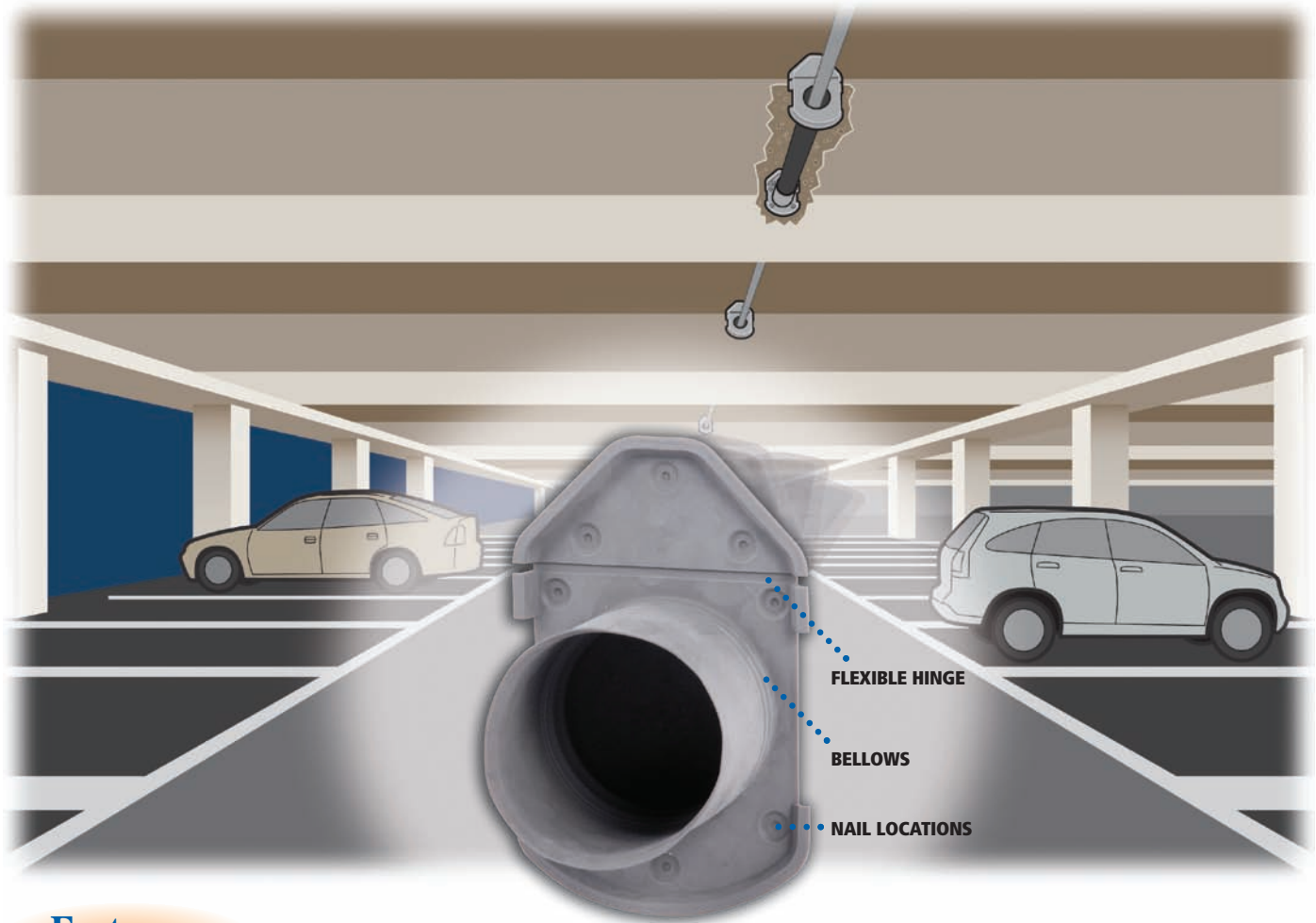


Carlton® Conduit Sleeve Couplings



Features

- EXCLUSIVE
- Manufactured from TPE, concrete tight
- Flexible hinge provides alignment of pass-through with ceiling
- Bellows - mounts to vertical walls and angled walls up to 30°
- Quick and easy installation
- Eliminates the use of duct tape and clamps
- Manufactured to IPS Dimensions for use with most conduit types
- Superior aesthetics. Blends in to the concrete
- Trade sizes: 2", 3", 4" and 6"
- Future-proofs the structure. Pass-through remains dark and protected until needed
- *Note: Firestop (where needed) and conduit NOT INCLUDED*

Applications:

Concrete walls, columns and posts

Carlton Conduit Sleeve Couplings are specifically designed for pass-through applications in concrete construction. They're manufactured from Thermoplastic Elastomer (TPE) so they're concrete tight and flexible enough to mount to any surface. They can be mounted in vertical wall spans or angled wall spans up to 30 degrees per side.

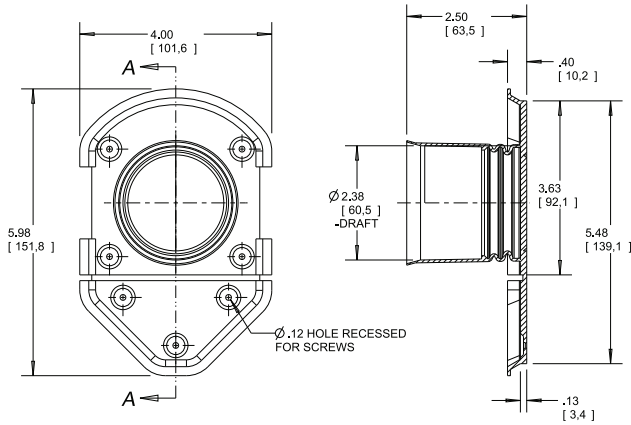
Carlton Conduit Sleeves are fast and easy to install and can be immediately accessed or left dark until needed. They eliminate the need for duct tape, clamps and special mounting means while providing superior aesthetics by blending into the concrete.

Innovative Solutions For Wire and Cable Management

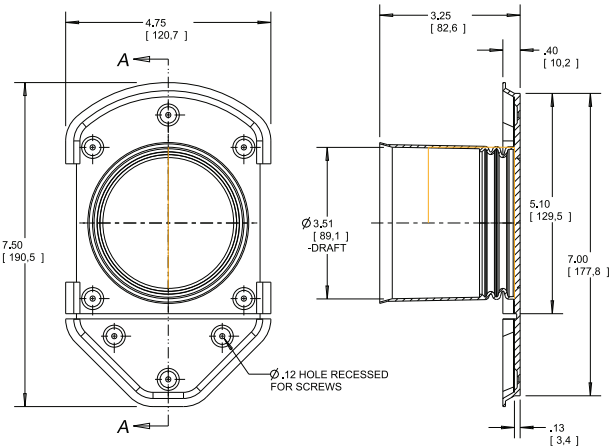
Specifications

Part Number	Size	Std. Carton Qty.	Std. Carton Wt. (lbs.)
E992J	2"	84	13.0
E992L	3"	30	8.3
E992N	4"	22	8.6
E992R	6"	18	13.0

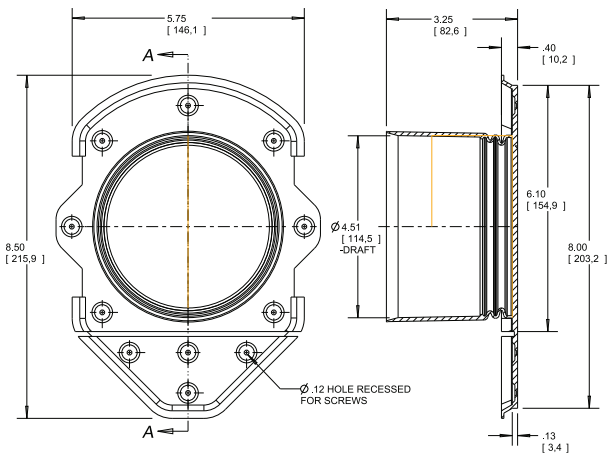
E992J



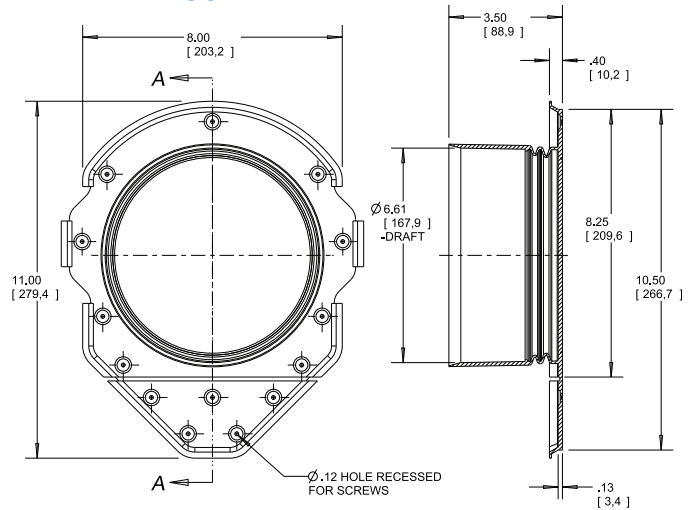
E992L



E992N



E992R



Carlon[®]
Thomas & Betts

Thomas & Betts Corporation
Electrical Division
8155 T&B Boulevard • Memphis, Tennessee 38125
1-800-816-7809 • Fax: 1-800-816-7810
www.carlon.com

8F11 3/08

© 2008 Thomas & Betts Corporation